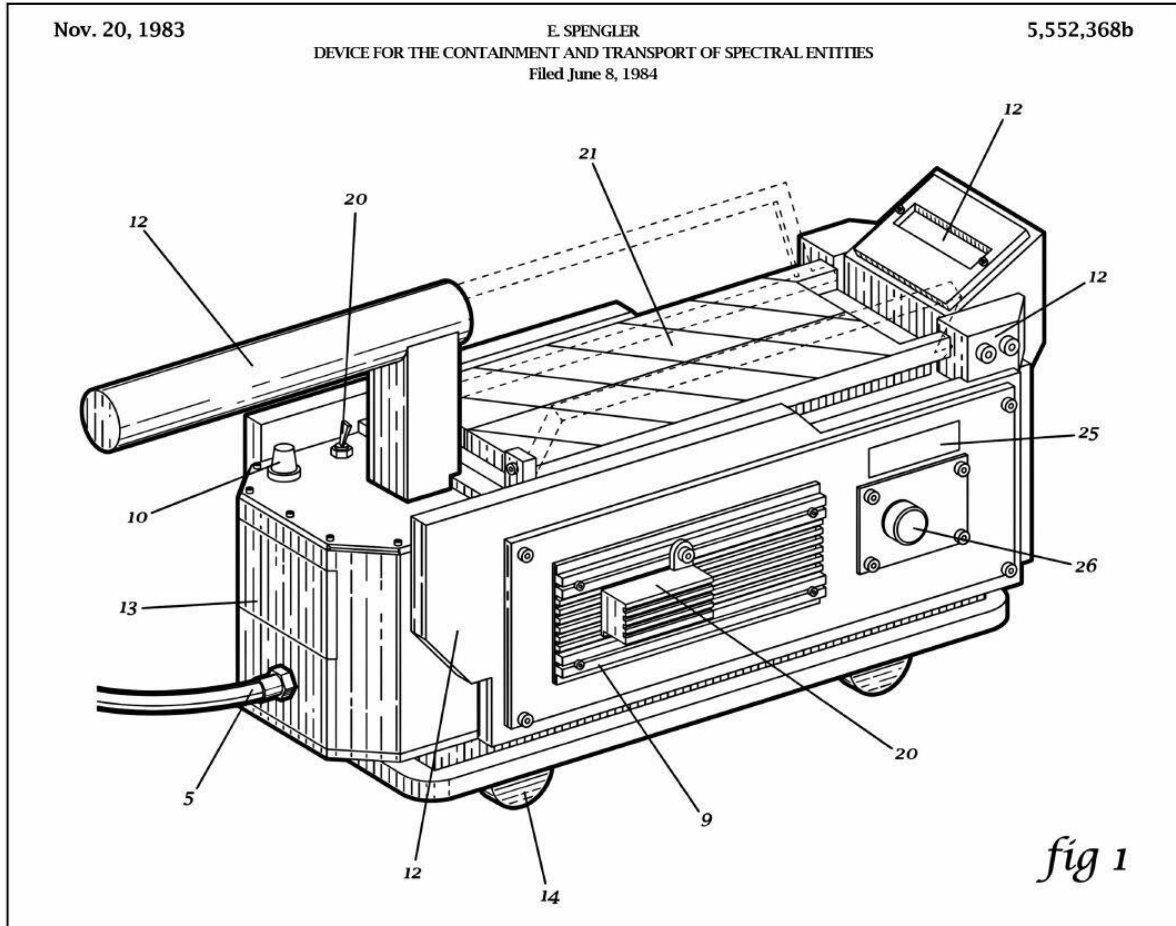


# Wasteland Industries Ghost Trap Fogger

## Instruction Manual



Version 1.1



# WASTELAND

## INDUSTRIES

Dear customer,

Thank you very much for purchasing a Haslab Two in a box Ghost Trap Fogger kit from Wasteland Industries. In this manual you will find a short instruction for setting-up and using the Wasteland Industries mini smoke machines. **Follow each step carefully- failure to do so can damage the product and cause frustration!**

|  |    |
|--|----|
| <b>Haslab Two in a box Ghost Trap Fogger</b> .....     | 3  |
| <b>Battery information:</b> .....                      | 3  |
| <b>Setting up the kit:</b> .....                       | 4  |
| <b>Filling the clearomizer:</b> .....                  | 5  |
| <b>Installing the optional Foot Pedal Remote</b> ..... | 6  |
| <b>Tips on using the smoke machine</b> .....           | 10 |
| <b>Storage and maintenance</b> .....                   | 11 |
| <b>Solving issues</b> .....                            | 12 |
| <b>Safety</b> .....                                    | 13 |
| <b>Support and FAQs</b> .....                          | 15 |
| <b>Manual Disclaimer</b> .....                         | 16 |

## Haslab Two in a box Ghost Trap Fogger

Your package will include the following:

1. Fogger Main Unit
2. Clearomizer
3. 30ml Smoke fluid
4. Remote controller for the foot pedal (if ordered)

### Battery information:

Due to shipping restrictions a battery is not included in the machine so these need to be purchased locally. **Before purchasing a battery, please read the following information carefully!**

Both unprotected and protected **16340 / RCR123 3,7V** batteries work, although of course we strongly recommend the protected battery. When searching for batteries do **NOT** buy CR123A **3V** batteries as these will not provide sufficient power to run the machine. CR123A batteries have a lower voltage (3V) and 16340/RCR123A batteries have a higher voltage (3.7V)

Please be aware of buying your batteries at Chinese websites or Ebay, there are quite a few fake batteries mentioning large amounts of mAh. Anything above 850 mAh can be considered fake.

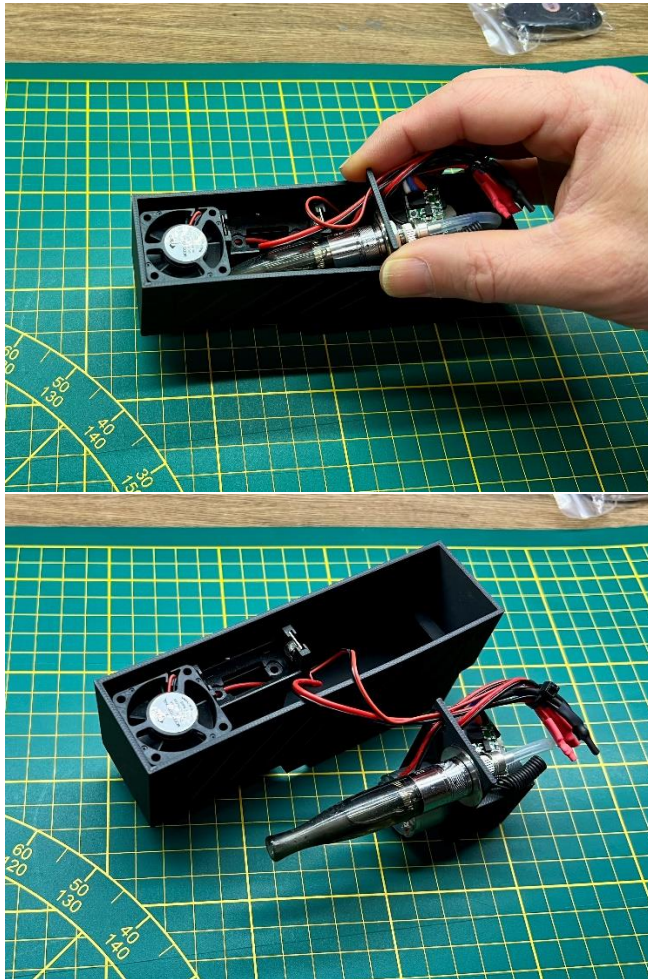
There are also options available of batteries with a build in USB C that can be recharges however these are also not recommended due to a low power output (and the larger size).

A few suggested batteries / brands are:

- Nitecore Li-Ion Akku 16340, 950mAh - NL169
- KeepPower 16340 850mAh Protected Li-ion Rechargeable Battery
- Trustfire TF16340 (RCR123)

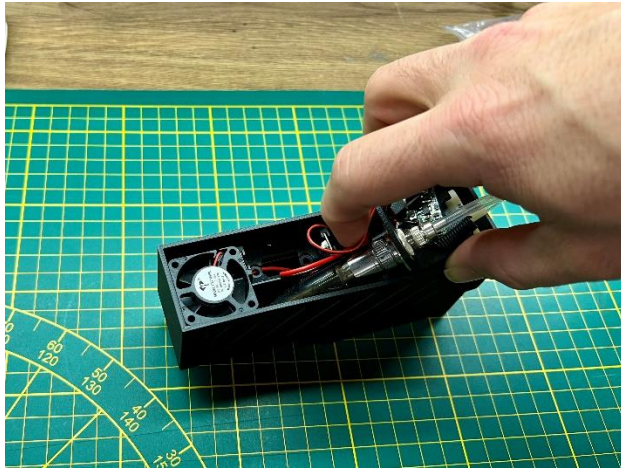
## Setting up the kit:

- From the main unit the electronics can be lifted out carefully as per pictures below.  
***Please note the battery compartment and fan are glued to the main body so do not pull the wires as this may damage the machine!!***



- Fill the clearomizer with the provided liquid (instructions below) and screw the clearomizer in the main unit.  
*For a detailed video on filling the clearomizer please go to our YouTube channel at [Youtube.com/WastelandIndustries](https://www.youtube.com/WastelandIndustries) and search for the video titled "Filling the T3 clearomizer"*
- Put in your 16340 / RC123 rechargeable battery (make sure to put in the battery correct as it has a + and a – side!!) and slide the 3D printed main unit in your Ghost trap.

Make sure to put the end of the nozzle underneath the fan as per picture below:



### Filling the clearomizer:

1. Unscrew the silver bottom ring from the clearomizer.
2. Fill with e-liquid – Note: Do not fill more than 95% of its capacity.
3. **Never fill the e-liquid into the center hole, please drip against the wall.**
4. Screw the silver ring back.
5. **Let it soak for 10 to 15 minutes prior to use.**
6. For the first time use or after not using the machine for a while it sometimes is needed to take a puff from the clearomizer as if you are smoking a cigarette (without inhaling the smoke) to get the smoke flowing (again). This only needs to be done if you turn on the machine and no smoke is coming out.

Simply screw the clearomizer to the top of the smoke machine base unit (**do not overtighten**) and insert your 18650 battery in the battery holder or connect the USB cable to you power source.

Once this is done Test the machine by pressing the A or B button on the remote keyfob. The machine should now instantly produce smoke and the fan should turn.

**For more info, trouble shooting and FAQ's please refer to the end of this manual.**

We hope you enjoy the smoke machine and we love to see some pictures /movies of our smoke machine in action.

## Installing the optional Foot Pedal Remote

Installing the foot pedal remote takes about 15 minutes. All you need is a Phillips screwdriver.

First step is to put in 2 CR 2032 batteries in the battery holder as per picture (one facing up, one facing down). Once done switch the on / off switch on the battery to the ON position:



Now quickly test the remote by pressing the yellow button. A small blue light should come on on the small PCB board. Once the blue light is on press the yellow button again to turn it off.

## Opening the foot pedal

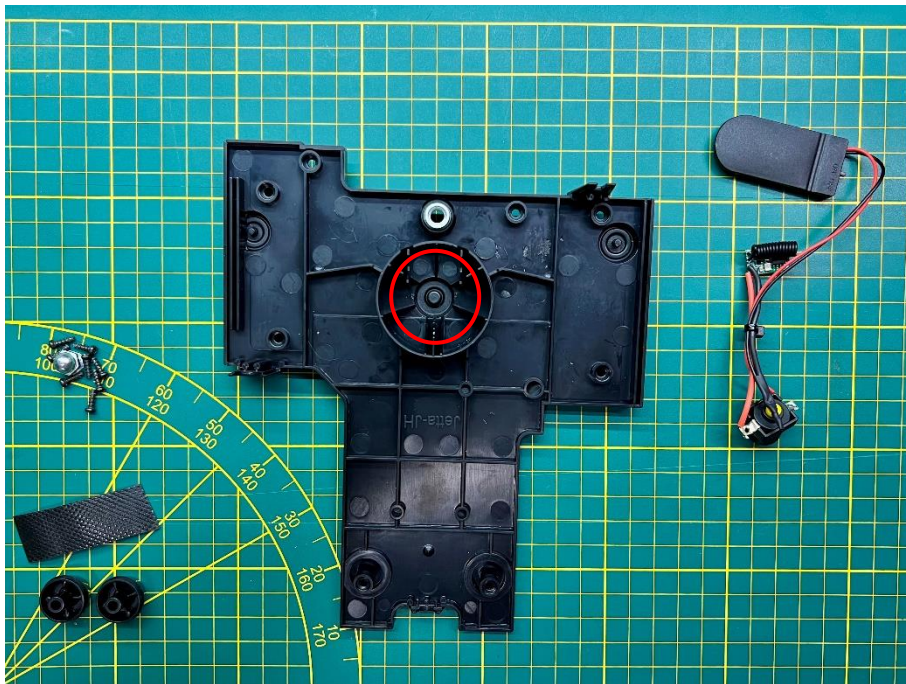
Begin by carefully twist and pulling out the 2 black bottom feet as per picture. Use the added rubber strip to get a better grip and twist and pull the 2 black feet out.



Once the two feet have been removed unscrew the 8 screws as per picture below.

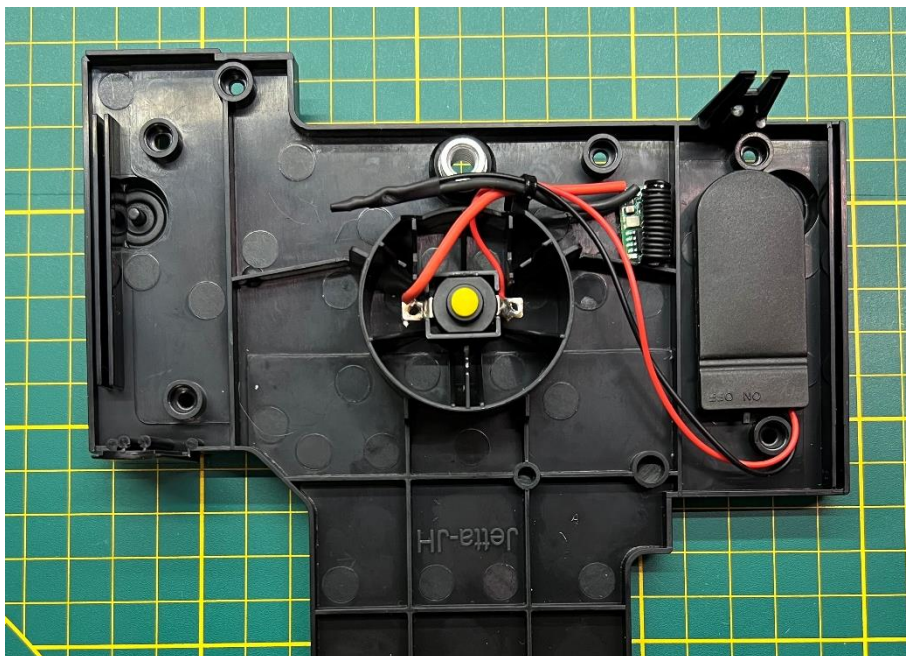


Now push the silver stud upwards opening the pedal from the bottom. The bottom plate will now be used to install the remote. The yellow button will be placed in the circle as per picture below (push it down well).



Once this is in place remove the double sided tape from the remote and from the battery holder and tape them as per picture below on the bottom plate.

If you bought the remote together with the fogger you are done now and can close the trap.



**IMPORTANT NOTE!! Before closing the trap make sure the switch on the battery holder is on the ON position**

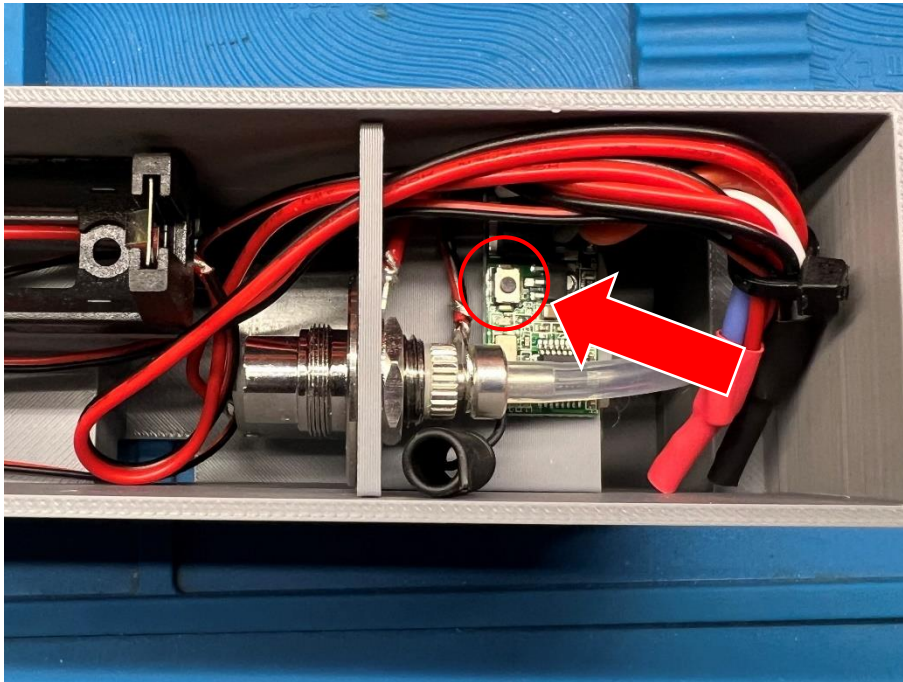


## PROGRAMMING THE REMOTE

If you bought it as an add-on for your fogger you will first need to program the remote before closing down the trap.

To program the remote make sure the pedal remote is off (on the remote PCB the blue light should not be on!). Click the yellow button to make sure it is off.

On the fogger you will find a remote PCB quite similar to the one on the pedal remote (see picture below). On this PCB board there is a small black button.



To program the remote press this button 1 time and wait for the blue light to come on. Now press the yellow button on the pedal remote and you will see the blue light blink. This means it is programmed. Test it by clicking the yellow button a couple of times and the fogger should turn on and off.

All done now .... You can close the foot pedal.

**IMPORTANT NOTE!! Before closing the trap make sure the switch on the battery holder is on the ON position**

## Tips on using the smoke machine

- Please do not continuously run the smoke machine but only in small bursts of max 40-50 seconds to allow cool down.
- After each use, we recommend ejecting any excess fog liquid that may have recondensed within the barrel of the Wasteland Industries Smoke Machine. This can be done by simply “flicking” the Wasteland Industries Smoke Machine while holding it to eject any excess liquid from the barrel.
- The vape tank (or clearomizer) can very easily switched to a new one if for any reason the old tank will break.
- If, during normal use, you notice that the smoke produced starts smelling burnt, it’s time to replace your clearomizer (normally after 2-3 months of heavy use). We suggest to buy a Kanger T3 Clearomizer.
- You can find the liquid in any vape shop near you, just ask for "100% glycerin" or has they call "liquid base" - it's cheap and does not include any of the bad chemicals (like nicotine) and therefore safe to use. If possible ask for 30PG/70VG ratio at any vape shop. In general the higher the VG rate the more smoke.
- This smoke machine can be very easy be built in your project. Also the use of this adapter makes this smoke machine a lot less fragile as other smoke machines currently on Etsy. Please however note this item is still somewhat fragile and its goal is to be used in prop, costume making, theater and similar stuff that requires building, therefore we do not accept returns if you break it.
- **The fogger runs off of a 3.7-volt battery and any modifications to the power supply will damage the unit.**

## Storage and maintenance

- Do not store the Wasteland Industries Smoke Machine for extended periods of time (more than a few days) with fog liquid still in the fluid tank.
- When the fogger is not in use for a long time remove the battery to avoid discharging.
- When storing for a longer period place the machine in a cool, dry place.  
Also it is advised before storing to unscrew the clearomizer and give it a quick rinse to remove any remaining fog liquid. To do so:

Open the clearomizer and pour out the remaining smoke fluid in the clearomizer.

Take apart the clearomizer (it's 3 pieces):

1. The plastic top tube
2. The silver Bottom ring
3. In the silver bottom ring there is a small pipe (which is the coil). You can also screw this loose from the silver ring.

Once you have all parts apart you can rinse everything with hot water and let it completely dry. Once dry re-assemble the clearomizer and store it separate from the machine.

## Solving issues

### **Issue: Machine produces a burning smell with a NEW heating coil**

There may be a very slight burning smell present in the first few second of operation with a new coil, this is normal. If the smell does disappear or gets more severe, stop using the Wasteland Industries Smoke Machine and allow it to rest for at least another 30 minutes before continuing. Ensure that the fluid tank is fully filled. In cold environments, the fog liquid becomes more viscous and will take longer to absorb into the heating coil. If this is the case, place the Wasteland Industries Smoke Machine in a warm area before using it.

### **Issue: Machine is running but no smoke is coming out of the machine**

For the first time use or after not using the machine for a while it sometimes is needed to take a puff from the clearomizer as if you are smoking a cigarette (without inhaling the smoke) to get the smoke flowing (again). This only needs to be done if you turn on the machine and no smoke is coming out.

If this does not solve the issue most likely the clearomizer was either filled incorrect resulting in the middle tube being blocked with fluid or the clearomizer is damaged and needs to be replaced by a new one.

You can try to clean the clearomizer using following steps:

Unscrew the clearomizer from the machine and poor out the smoke fluid in the clearomizer. Take apart the clearomizer (it's 3 pieces):

1. The plastic top tube
2. The silver Bottom ring
3. In the silver bottom ring there is a small pipe (which is the coil). You can also screw this loose from the silver ring.

Once you have all parts apart you can rinse everything with hot water and let it completely dry. After that you can re-assemble all.

Fill the clearomizer again and let it stand for at least 15 minutes!

## Safety

To produce smoke, the Wasteland Industries Smoke Machine evaporates a mix of Propylene Glycol and Vegetable Glycerin. Although these chemicals are both generally recognized as safe and are commonly used in food additives and skin lotions, you must always follow the following safety points:

- Do not consume the fog liquid
- Do not get any fog liquid into your eyes
- Never use the Wasteland Industries Smoke Machine near children under the age of 4 or pregnant women
- Never use the Wasteland Industries Smoke Machine near people with renal health issues
- Never deliberately inhale the smoke produced
- Never operate the Wasteland Industries Smoke Machine if the liquid tank is empty
- If you feel nauseous, light-headed or exhibit any other adverse health-related side effect, immediately cease operation and go to well-ventilated room with fresh air. Call a doctor if symptoms continue. Similarly, call a doctor if you are concerned about the impact of these chemicals on your health.
- During operation, the Wasteland Industries Smoke Machine heats an internal metal coil. To prevent any heat-related issues please follow these guidelines:
  - Do not touch the clearomizer during operation as it can be hot.
  - Always allow the clearomizer to cool down before refilling liquid.
  - Never aim the Wasteland Industries Smoke Machine at people or animals that are within 1m of range as sometimes, small droplets of hot fog fluid can exit the nozzle.
  - Never look directly into the Wasteland Industries Smoke Machine's nozzle while it is running.
  - Never place the Wasteland Industries Smoke Machine near any flammable materials.
  - Always make sure there is enough ventilation space for the Wasteland Industries Smoke Machine.
  - Never change or alter any of the power options of the Wasteland Industries Smoke Machine.
  - Always use correct and in your state / country approved batteries or power banks for operating the Wasteland Industries Smoke Machine.

**Finally, there are a few more miscellaneous guidelines that must be respected:**

- Never allow anyone under the age of 18 to use the Wasteland Industries Smoke Machine
- Wasteland Industries will not accept any responsibility for property damage or bodily harm caused by the improper use of the Wasteland Industries Smoke Machine. It is the user's responsibility to use good judgement and knowledge of the risks detailed above to correctly and safely operate the device. If you are unwilling to accept the risks associated with the use of this device, immediately return it back to us for a full refund.

## Support and FAQs

### Can the Wasteland Industries Smoke Machine trigger smoke alarms?

Yes, if enough smoke is produced then ionization and photoelectric smoke alarms will be activated. Traditional heat-activated smoke alarms and sprinklers won't be affected

### Is it possible to change the smoke color?

Unfortunately not. The Wasteland Industries Smoke Machine produces smoke through the evaporation of a fog liquid so it can only be white, adding a dye to the liquid will not change this. The only way to simulate colored smoke using the Wasteland Industries Smoke Machine would be to light up the white smoke using some external lights.

### Can I breathe in the smoke?

During proper operation, the fog produced is considered to be non-toxic but we do not recommend breathing it in anyway. The smoke can only become toxic if the safety precautions regarding the replacement of worn-out heating coils are not followed.

### What is the fog liquid made out of?

Our fog liquid consists of a high purity vegetable glycerin and propylene glycol mixture. These chemicals are commonly-available chemical and may be found in local vape shops as a base liquids for electronic cigarettes.

### Can I use liquids from other smoke machines?

We can only guarantee the safety and performance of the fog liquid that we sell so if you decide to experiment with other compositions, this would be at your own risk.

### What obstacles can the remote control signal go through?

It really depends on the exact situation but in general, as a rough guideline, you will be able to control the Wasteland Industries Smoke Machine through several thin plaster walls. Similarly, if you decide to put it into cardboard or fabric enclosure, you shouldn't encounter any issues. On the other hand, metal barrier such as car doors will usually block the signal although we have even had luck with activating the Wasteland Industries Smoke Machine while it was inside a car hood!

If you believe that your Wasteland Industries Smoke Machine is faulty, please check the troubleshooting section of this manual. If your problem still persists, please reach out to us at the email address below.

Any other mail functions you can send us an email: [info@wasteland-industries.com](mailto:info@wasteland-industries.com)

## Manual Disclaimer

All the data of this User's Manual (e.g. illustrations, text, specifications and data) are based on the latest information available and every care has been taken in compilation of the contents herein and in verification of its accuracy at the time of creation. As the aim of Wasteland Industries is to give customers the most updated and state-of-the-art products, it may operate some technical modifications and improvements in time. Wasteland Industries may consequently alter the information contained in this User's Manual without notice. Wasteland Industries has taken every care to ensure that this User's Manual contains accurate information and has published it on the basis that it is not responsible for the results of any actions taken by users of information contained in it, on the basis of information contained in this manual, nor for any error in or omission from it. Wasteland Industries disclaims any responsibility whatsoever for misrepresentation by any person whatsoever of the information contained in this User's Manual and expressly disclaims all and any liability and responsibility to any person, whether a reader of this User's Manual or not, in respect of claims, losses or damage or any other matter, either direct or consequential arising out of or in relation to the use and reliance, whether wholly or partially, upon any information contained or products referred to in this User's Manual. If you find that some technical features or external appearance of your product differ from the ones inserted in this User's Manual, please contact Wasteland Industries.



Again thank you for purchasing a Wasteland Industries smoke machine and please do send us a picture of your project or tag us in your social media post!

Visit us@

[www.wasteland-industries.com](http://www.wasteland-industries.com)

[www.facebook.com/wastelandindustries](https://www.facebook.com/wastelandindustries)

[www.etsy.com/shop/wastelandindustries](https://www.etsy.com/shop/wastelandindustries)

[www.instagram.com/wastelandindustries](https://www.instagram.com/wastelandindustries)

